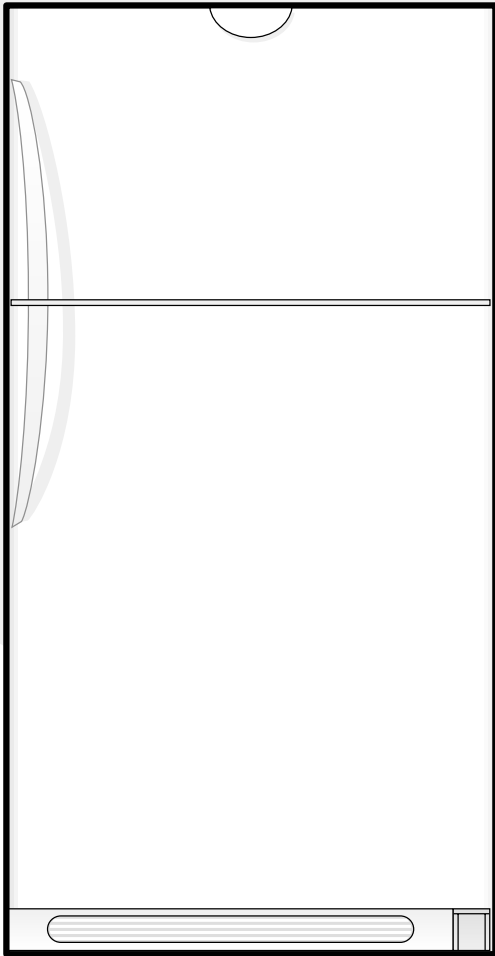


Frigidaire

INTERNATIONAL

**FACTORY
PARTS CATALOG**



PRODUCT NO.	BASE MODEL NO.	SERIES	COLOR	VOLTS
FGTD23V6AW0	FGTD23V6A	R134a System	white	220
MARKET				
Export				

WIRING DIAGRAM - # 240398801
OWNER'S GUIDE - # 240432700
SERVICE DATA SHEET - # 240459601

International

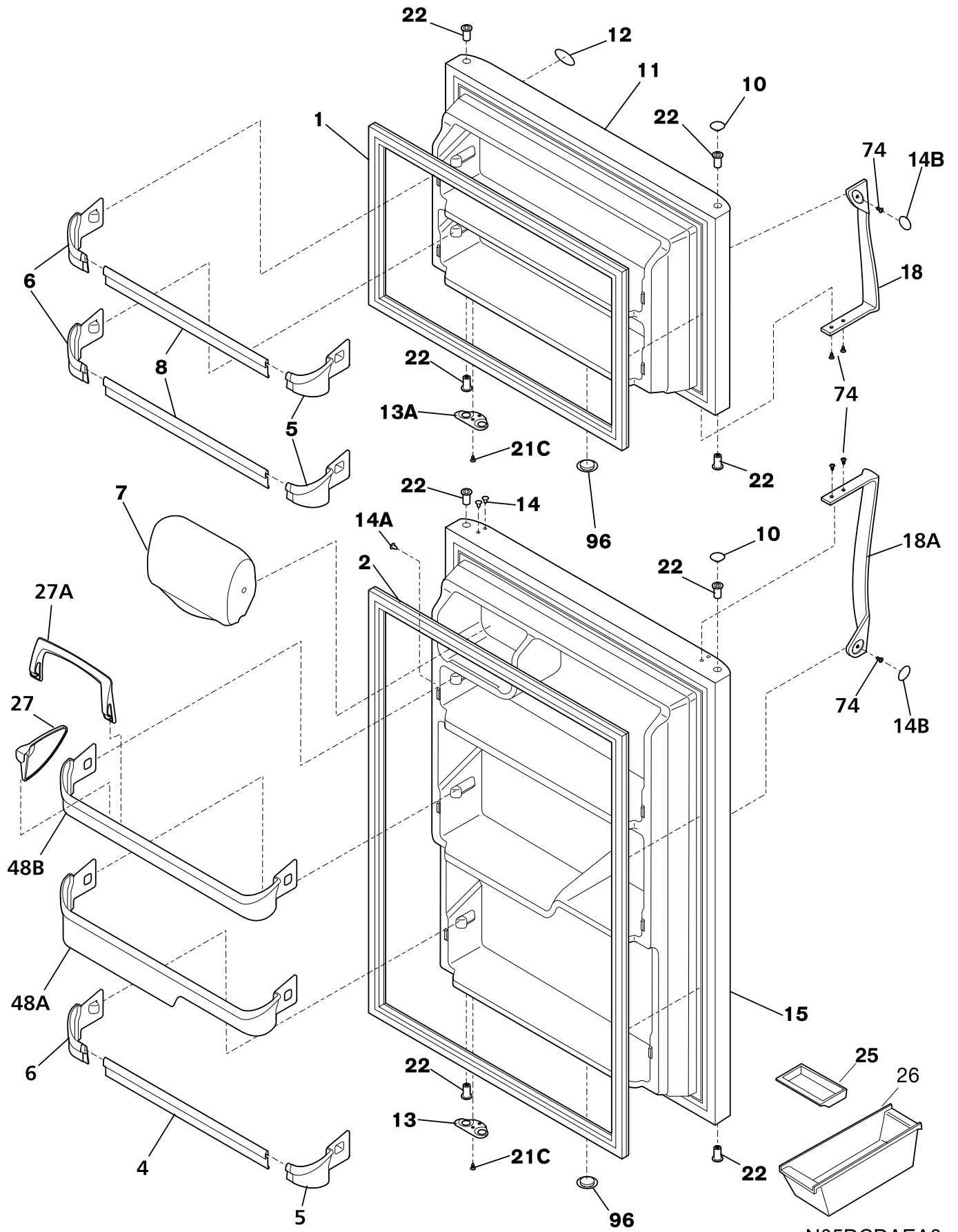
3 Parkway Center
Pittsburg, PA 15220

Publication No.
5995354106
010530
-EN/SERVICE/KHB
357

**TOP MOUNT
REFRIGERATOR**

**Model No.
FGTD23V6A**

DOOR

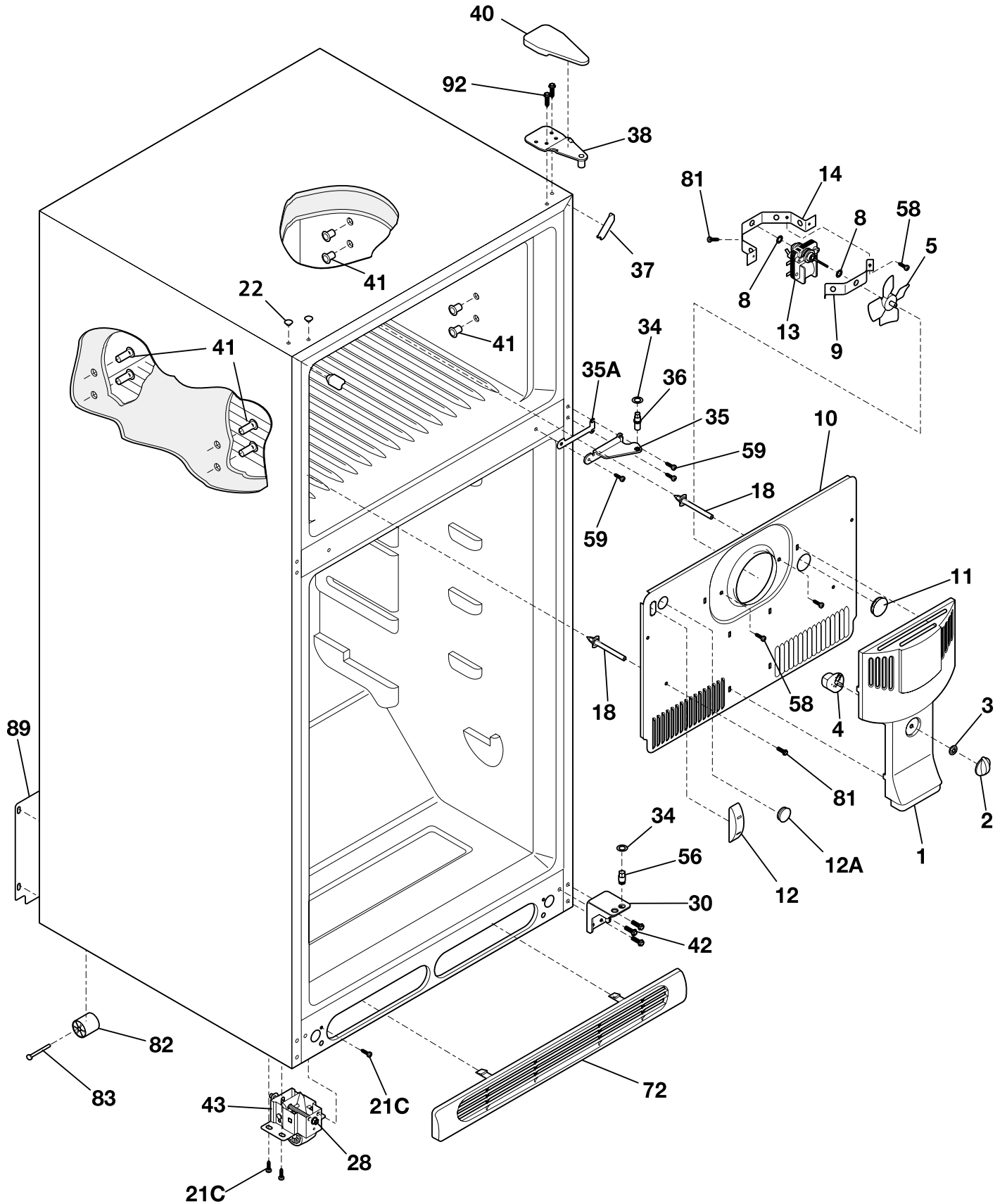


N05DCDAEA0

DOOR

POS. NO	PART NO	DESCRIPTION
1 #	240390702	Gasket-frzr door,white ,magnetic
2 #	240390701	Gasket-refr door,white ,magnetic
4	240331401	Rack-door,20.27" x 1.72"
5	240311502	Support-door rack,2 liter ,RH
6	240311501	Support-door rack,2 liter ,LH
7	240337703	Door-dairy,w/o graphics ,clear
8	240331402	Rack-door,17.99"
10	40381301	Plug-button,hinge brg hole ,white ,(2)
11	240450302	Panel-frzr door,white ,complete assy
12	240416301	Label-nameplate,white
13	240312403	Door Stop,white ,ref
13A	240312404	Door Stop,white ,frzr
14	218915701	Plug-button,white
14A	240428301	Plug-button,screw type ,white
14B	240383601	Plug-button,white ,door handle
15	240450402	Panel-refr door,white ,complete assy
18	240339201	Handle-door,white
18A	240339206	Handle-door,white
21C	218252200	Screw,#8 truss hd ,10-32CA x 0.500
22	240311201	Bearing-hinge,natural color ,(8)
25	5308000716	Dish-butter
26	3204522	Container-egg
27	240396301	Snugger
27A	240396101	Retainer,tall bottle
48A	240337901	Bin-door,ref
48B	240338001	Bin-door,ref
74	240383401	Screw,truss hd quad ,#10-16 x .500
96	240345503	Plug-foam hole,white

CABINET

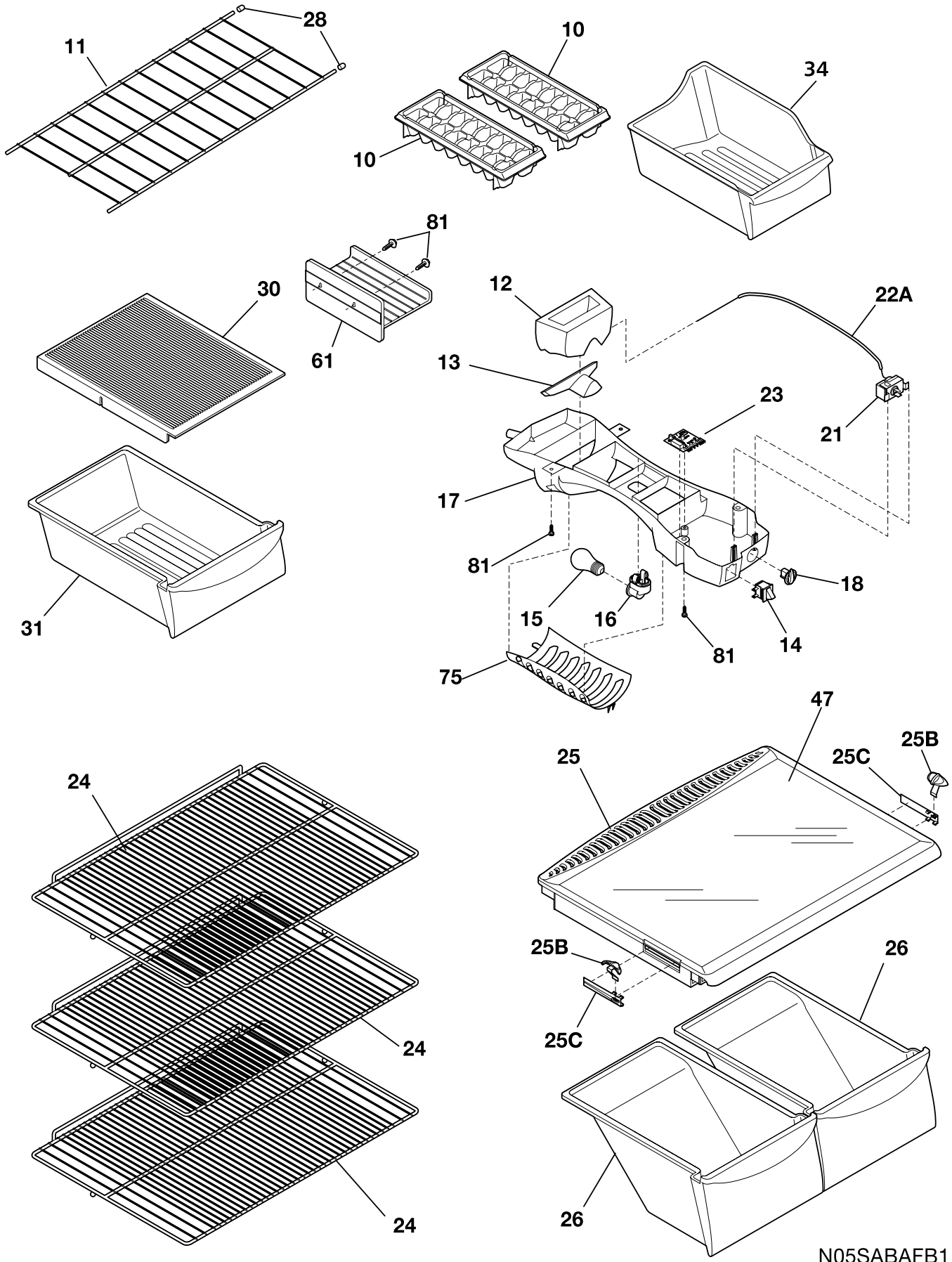


N05BBAABA0

CABINET

POS. NO	PART NO	DESCRIPTION
1	240355402	Cover-fan
2	240367001	Knob-damper control
3	5303001028	Nut,push-on
4	240367401	Damper-fan cover
5 #	5308000010	Fan Blade,red ,evaporator fan
8	5300157666	Bushing-motor mtg,(2)
9	5303292396	Bracket-motor mtg,front
10	240313606	Cover-evap coil
10*	240371303	Seal-coil cover
10*	240385402	Wiring Harness,freezer section
11	5303208309	Plug-hole,factory test
12	240366801	Plug-ice maker harness,rectangular
12A	240374401	Plug-wtr inlet tube,round ,1"
13 #	240419701	Motor,evaporator fan ,220/240 V
13*	218931001	Clamp-motor wiring,nylon, w/adhesive tape
14	5303292397	Bracket-motor mtg,rear
18	240345801	Support-evap cover,(2)
21C	218252200	Screw,#8 truss hd ,10-32CA x 0.500
22	215774901	Plug-button,white ,upr hinge holes
28	240335501	Bolt-roller adj,hex wshr hd, 1/4-20 x 4.020, (2), special
30	240314002	Bracket-lower hinge
34	240311301	Washer,hinge ,nylon ,(2)
35	240313802	Bracket-ctr hinge,white
35A	240336801	Spacer-hinge,center
36	240313901	Pin-center hinge
37	240337601	Trim-cabinet corner,white ,(2)
38	240313701	Bracket-upper hinge
40	240354401	Cover-upper hinge,white
41	5303001609	Grommet,shelf mtg ,0.69" ,RH
41*	5308009759	Grommet,shelf mtg ,1.25" ,LH
42	240315301	Screw-hinge mtg,hex head ,1/4-20 x 0.75
43	240335003	Roller Assy,front ,(2)
56	240314101	Pin-lower hinge
58	5303001343	Screw,hex washer head ,8-15A x 0.500
59	240442702	Screw-#10-32 X 3/4,white
72	240368201	Grille/Kickplate,white
81	240433201	Screw-8-18 x 3/8
82	5304418225	Roller-rear,comp base ,(2)
83	215164200	Pin-roller,(2)
89	240326116	Cover-access,sys compartment, w/caution label
89*	241500301	Screw,#8 18 x .500 ,(3)
92	5303001479	Screw-hinge mtg,hex hd ,1/4-20 x 0.875

SHELVES

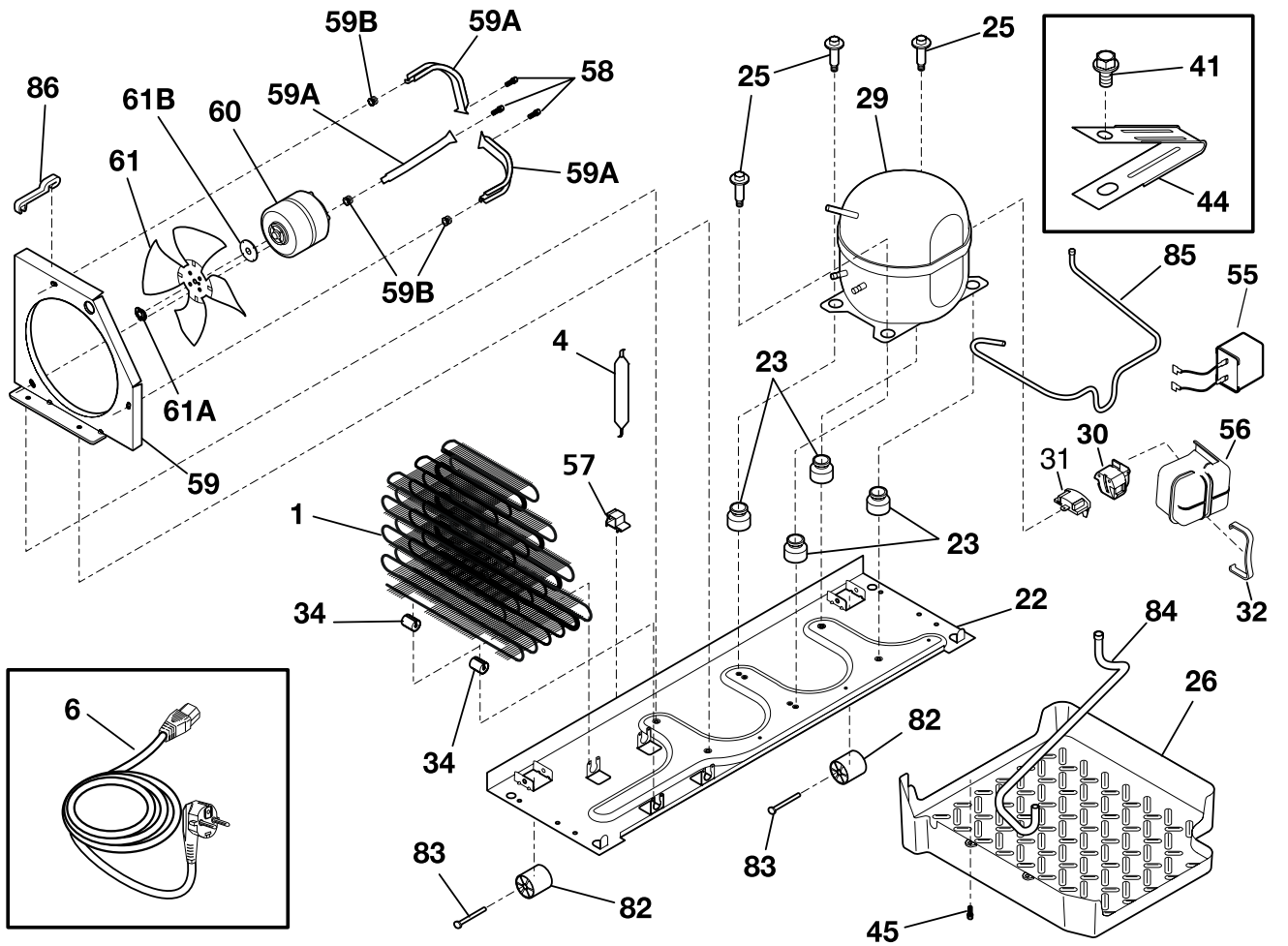
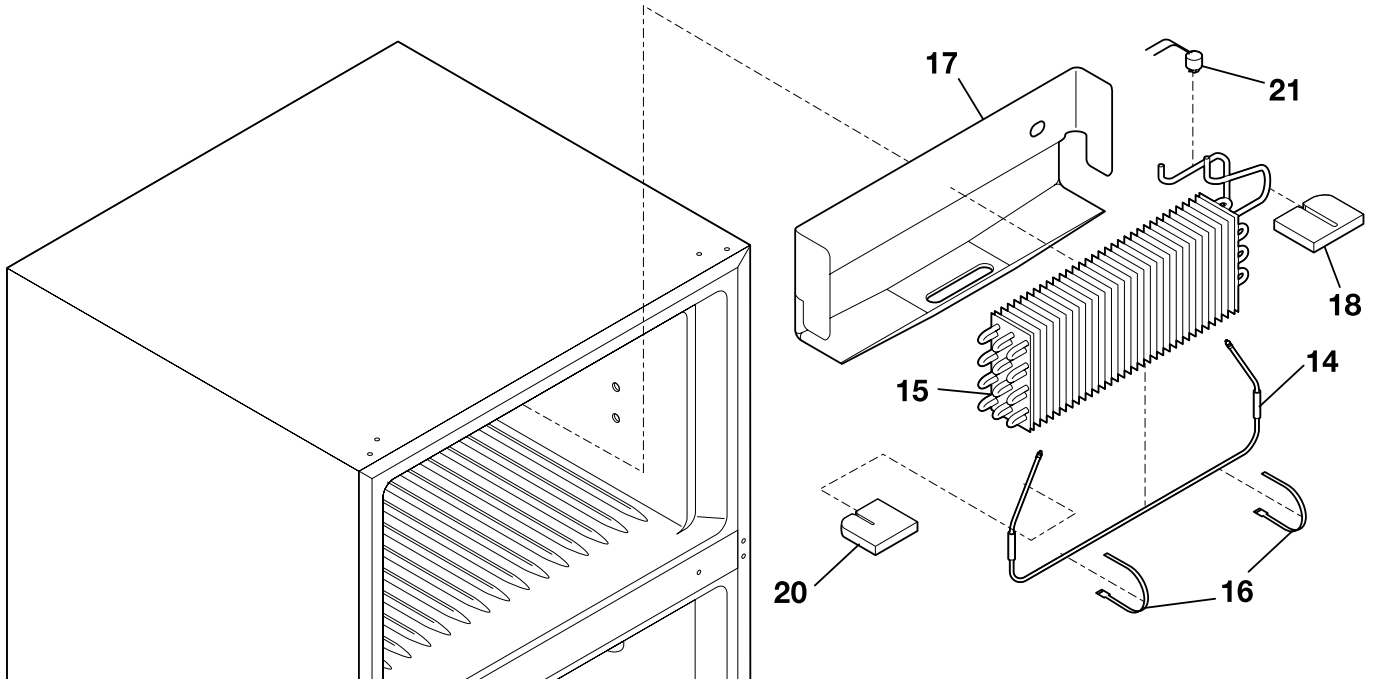


N05SABAFB1

SHELVES

POS. NO	PART NO	DESCRIPTION
10	215667501	Tray-ice,plastic
11	240358003	Shelf-freezer
11*	5303299664	Spacer-shelf
12	240380202	Diffuser-air,top
13	240362601	Diffuser-air,bottom
14 #	240413601	Switch-light/lamp
15	218814400	Light Bulb/Lamp
16 #	240433701	Socket-light/lamp,E27A lampholder, 250 V
17	240368101	Box-control
18	240360801	Knob-control
21 #	5304422717	Control,temperature
22A	240468201	Tube, insulator, PVC, white, on temp sensor
23 #	240375802	Control-defrost, adaptive timer, 220/240 V, PC board
23*	5303001259	Screw-timer mtg, pan hd, 6-20 x 0.438, (2)
24	240360904	Shelf-sliding,refr
25	240364718	Cover-crisper pan
25B	240361201	Control-humidity
25C	240361301	Damper-humidity control
26	240343803	Pan-crisper,(2)
28	3201150	End Cap-shelf,protector ,frzr shelf
30	240361801	Hanger-meat pan,drop thru
31	240354203	Pan-meat,w/o graphics ,clear
34	240385201	Container-ice
47	240443301	Insert-pan cover,glass
61	215781501	Shelf-ice tray,wire
75	240412701	Shield,light
81	5308016566	Screw,hex wshr hd ,8-15A x 0.625, low profile
*	3205266	Edge Protector,wiring harness

SYSTEM



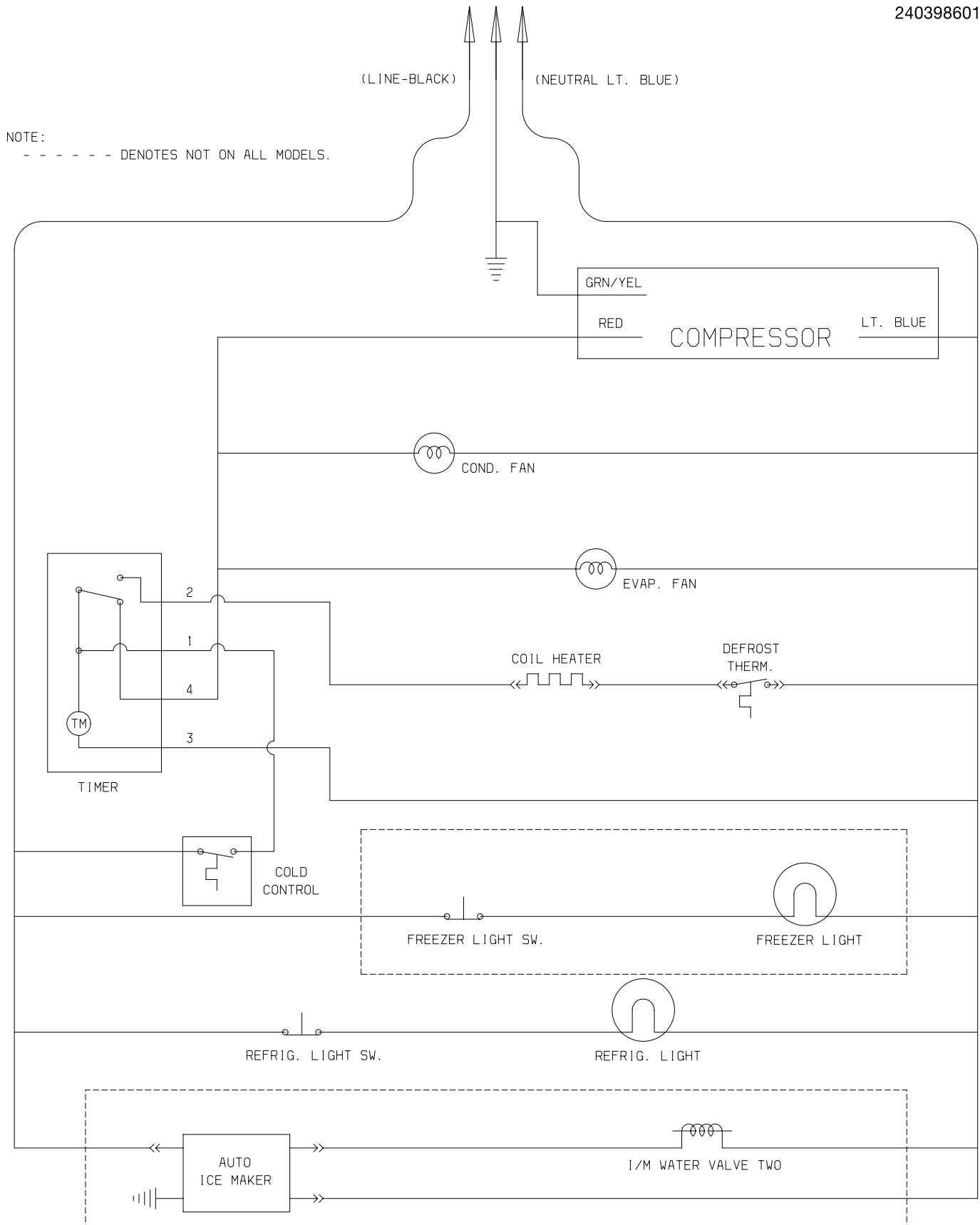
N05CABABA0

SYSTEM

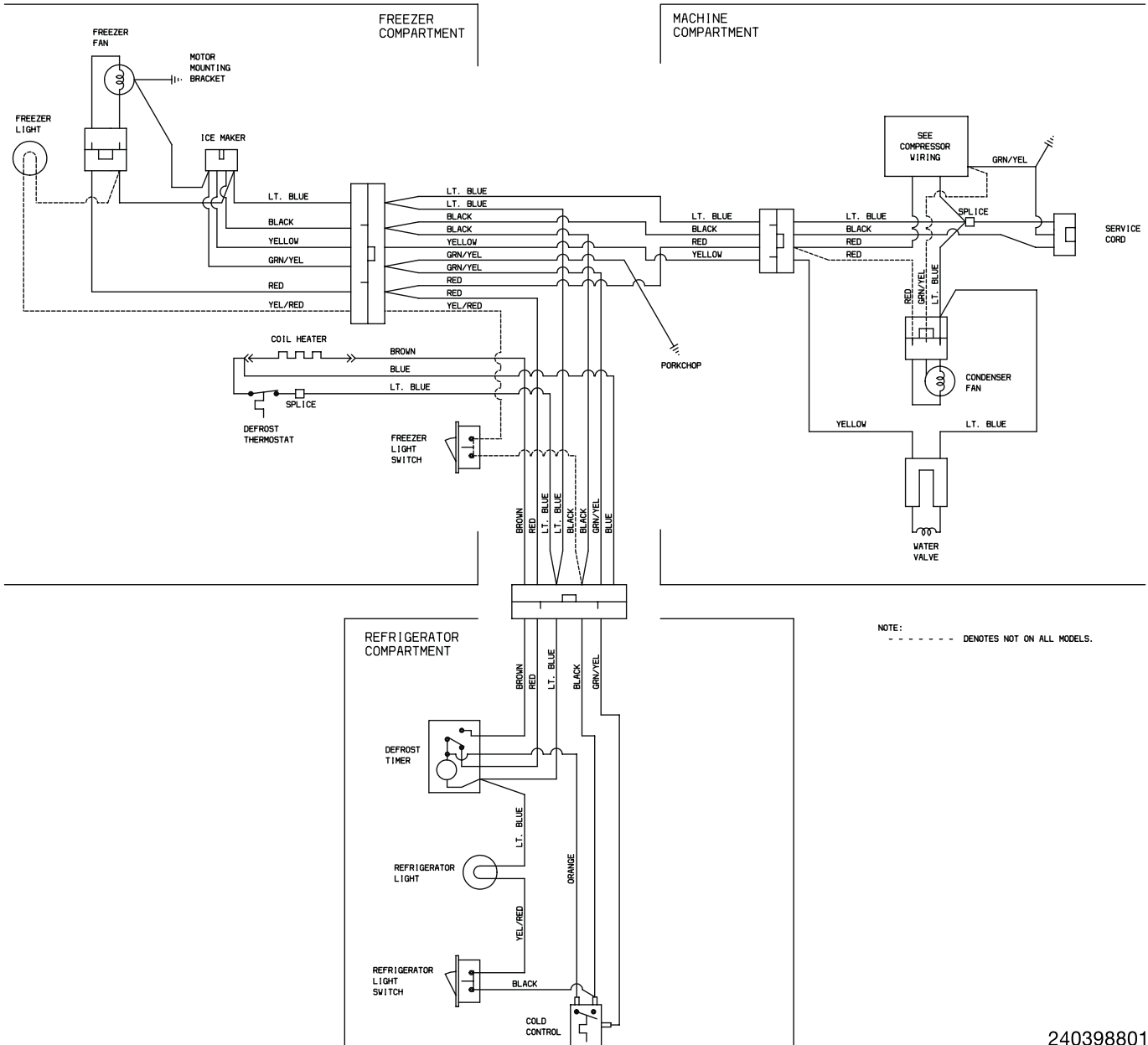
POS. NO	PART NO	DESCRIPTION
1 #	240345601	Condenser,dynamic
4 #	218944001	Drier-filter,R134a System
6 #	240449501	Cord-electric power
6* #	240375601	Wiring Harness,machine compt
6* #	240385402	Wiring Harness,freezer section
6*	240447101	Bracket,strain relief
6*	240447201	Clamp,strain relief
6*	240451501	Screw,ind hex wshr hd, 8-32 x 0.375, thread rolling
14 #	5303918238	Defrost Heater Kit,220 V
15 #	5303918250	Evaporator Kit
16	5308000110	Strap-evap/heater,aluminum ,(2)
17	240434002	Trough-drain
18	240362301	Insulation Block,RH
20	240362401	Insulation Block,LH
21 #	5303918202	Thermostat-defrost,kit
22	240330001	Plate-compr mtg
22*	218252200	Screw,#8 truss hd ,10-32CA x 0.500
23	218513300	Grommet-compr mtg,(4)
25	240491501	Screw-compr mtg,hex wshr hd,1/4-28 x1.16,shoulder,typ CF
26	240332602	Pan-defrost drain
29 #	5303918237	Compressor,w/electricals
30 #	5303309882	Relay
31 #	5304422635	Overload Protector,220/240 V
32	5303006412	Strap-cover mtg
34	240405201	Grommet-cond mtg,(4)
41	218897001	Screw,hex washer head ,8-32 x 1/4
41*	5308000039	Screw,hex washer head, 8-32CA x 0.500, (7),serrated head
44	5303001199	Clamp-wiring harness, strain relief, galv steel
45	5308016566	Screw, hex wshr hd, 8-15A x 0.625, low profile
53	08006982	Cover-terminal
55 #	218909904	Capacitor-run, 350-400 VAC, 7.5 microfarad,18"wire leads
57	240403601	Clip-wiring harness
58	215004600	Screw-cond fan mtr, hx serr wshr hd, 8-36 x 7/16,(2)
59	240315501	Shroud-cond fan
59*	240346701	Tape-foam seal,shroud
59*	240359401	Screw-fan shroud,(2)
59A	240346501	Bracket-support,cond mtr ,(3)
59B	240346601	Grommet-bracket,(3)
60	240419801	Motor,condensor fan
61 #	240315401	Fan Blade,galv steel ,condenser fan
61A	215004700	Nut,speed
61B	215004800	Grommet-silencer
82	5304418225	Roller-rear,comp base ,(2)
83	215164200	Pin-roller,(2)
84	240359601	Tube-drain,lower
85	240346201	Tube-connector,suction
86	240409302	Spacer-cond tube,black
* #	5303918210	Heat Exchanger Kit,suction line
* #	5303918239	Hot Tube Repair Kit,220 V ,Service

WIRING SCHEMATIC

240398601



WIRING DIAGRAM



240398801